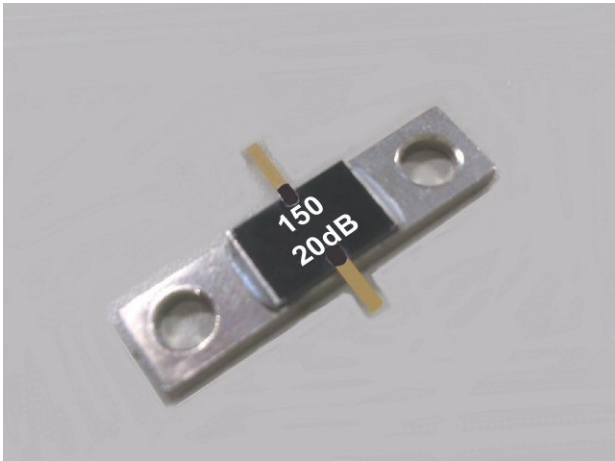


150W 高電力減衰器  
 FLANGE MOUNT  
 RF POWER ATTENUATORS  
 RFA150 110



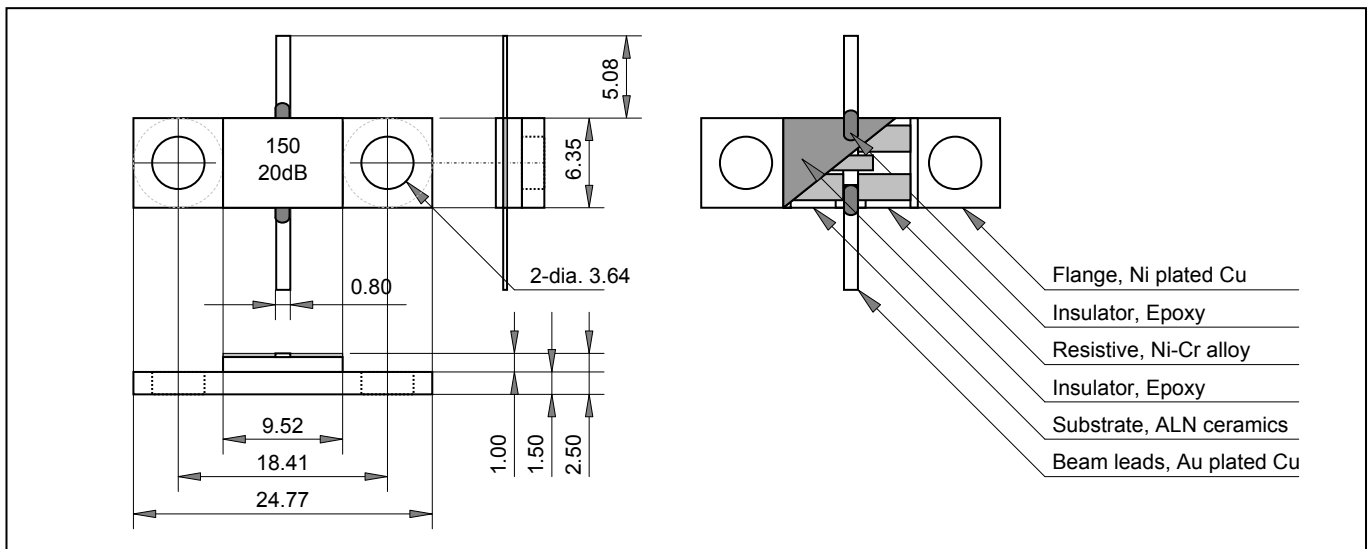
特長用途

RFA150110 は、定格入力電力 150W、フランジ電力減衰器、帯域 DC-3GHz 領域において使用、特性インピーダンス 50Ω、減衰量 3dB から 30dB の電力減衰器。  
 RFA150 110 は、RoHS適合品。  
 いずれの製品も、チップの裏面を適切な放熱能力の金属ヒートシンクにはんだ付して使用します。  
 アイソレータ終端器、電力増幅器のパワー検出、高速LSI 試験装置の信号制御、理化学機器、分析装置、医用電子機器のパワー減衰器として。

Features and Applications

RFA150 110, 150W, flange mount small size attenuators in range of 3dB to 30 dB attenuation, 50ohm characteristic impedance for DC to 3GHz.  
 RFA150 110 is RoHS and BeO free configuration with ALN.  
 RFA150 110 has soft Cu beam leads  
 Long life and temperature stability of thin film technology realize better performance at a temperature range from -55°C to +155°C.  
 Applications include power amplifiers at GHz, loss compensation of transmission line of data communication systems, detecting signal control of ATE-LSI test system-circuit board functional test systems, industrial measurement electronics, medical scientific electronics.

寸法・材質 Dimensions (mm) and Materials



形名呼称 Ordering Information

Type	Attenuation	Tolerance of Imp.	Packaging	Note
RFA150 110	20dB	G	Z00	
RFA150 110	3dB	G (2%)	Z00	
	6dB		RoHS	
	10dB		Tray Package	
	20dB			
	30dB			

150W 高電力減衰器  
FLANGE MOUNT RF POWER ATTENUATORS

RFA150 110

仕様 Specifications

形式	Type	RFA150 110	Note
定格電力, 入力	Rated Power, input power	150W	-55°C から+100°C
定格使用温度	Rated Operating Temperature	100 deg C	With heat sink
特性インピーダンス	Characteristic Impedance	50 ohm	at dc
インピーダンス許容差	Tolerance, Impedance	+/- 2.0%	
インピーダンス温度係数	TCR, Impedance	+/- 50 ppm/°C	
減衰量	Attenuation	3, 6, 10, 20, 30 dB	at dc
減衰量許容差	Tolerance, Attenuation	See table 1	20dB & 30dB, +/-0.4dB
減衰量温度係数	TCR, Attenuation	+/- 50 ppm/°C	
電圧定在波比	VSWR	See table 2	
動作温度範囲	Operating Temp. Range	-55 °C - +155 °C	
保存温度範囲	Storage Temp. Range	-55 °C - +155 °C	

Note 1: Rating wattage of RFA150 110 assumes that the chip attached on proper heat-sink by screw.

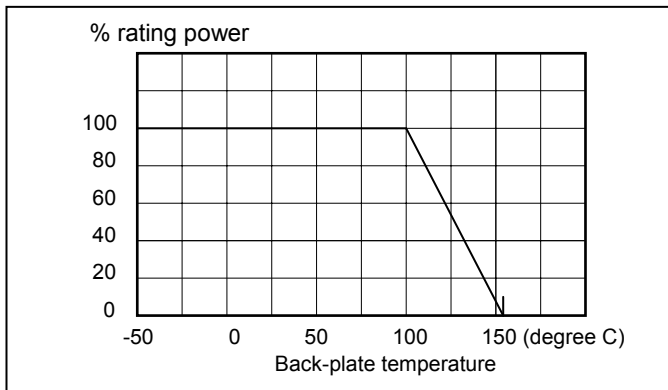
Note 2: RFA150 110 is compliance with RoHS.

Note 3: When another attenuation is required please call factory, [info@nikkohm.co.jp](mailto:info@nikkohm.co.jp)

性能 Performances

Items	Specifications	Conditions
Soldering Heat	+/- 1%	350°C, 3 seconds dipping.
Soldering Capability	95% covered	
Humidity	+/- 1% impedance	Input DC resistance change Under condition of 40C temp and 90-95%RH, rating power ON-90min, OFF-30min, 1000h
Load Life	+/- 1% impedance	Input DC resistance change. Under condition of 70C temp, rating power ON-90min, OFF-30min, 1000h

負荷軽減 Derating



高周波特性 RF Characteristic (S21), typical

GHz	0.1	1.0	1.5	2.0	2.5	3.0
RFA150110 20DB	20.0	20.0	20.0	20.1	20.2	20.3
RFA150110 30DB	30.0	30.0	29.9	30.0	30.0	30.0

高周波特性 RF Characteristics (S11), typical

