

軽量精密電流シャント

LIGHTWEIGHT PRECISION
CURRENT SHUNT RESISTORS

NSLB170, NSLB200, NSLB250
NSLB300, NSLB400, NSLB450
NSLB500, NSLB600

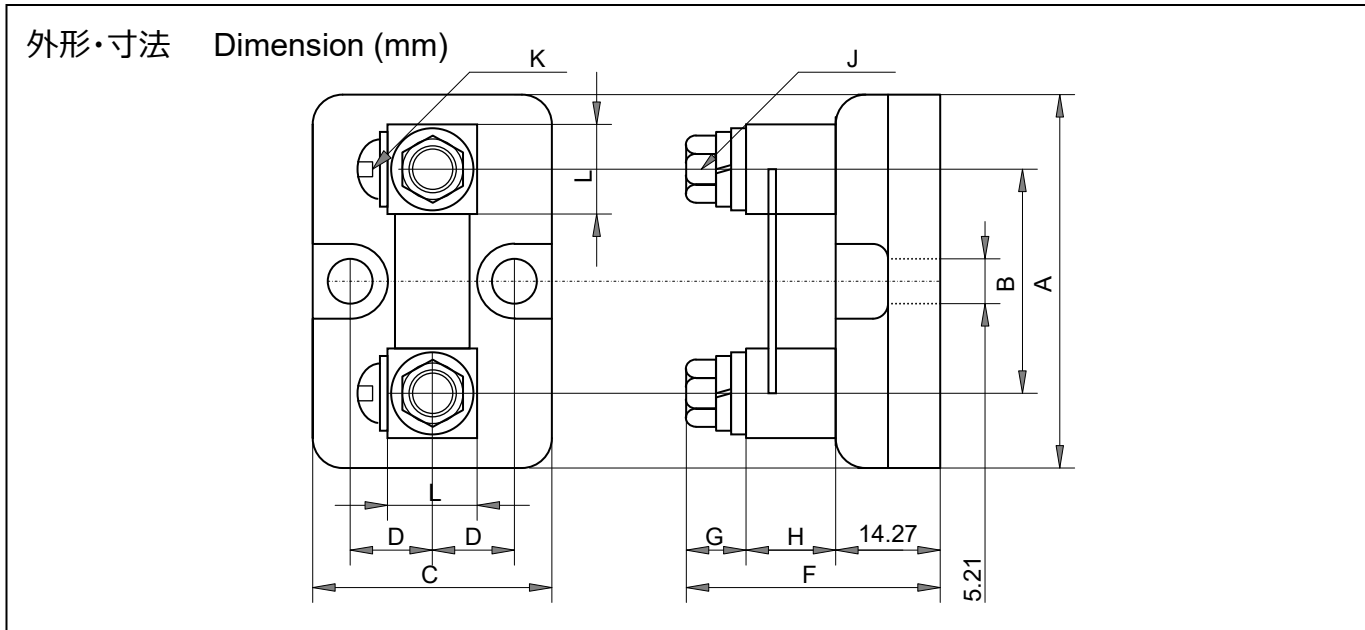


特長用途

小型軽量のパワーエレクトロニクス用、計装用電流シャント抵抗。
0.25%の許容差、長期安定性、低熱電力、優れた抵抗温度係数の優れた性能を有する。
電流端子、電圧端子ともねじが付属していて、電流ブスバーへの取り付け、電流計への接続が簡単。
このシリーズは米国計測研究所の標準とトレーサビリティを保証。
精密電源装置、電力変換装置、電流計測、電力量測定器など。

Features and Applications

Lightweight large current shunt resistors for ampere-meters, designed for power electric equipment.
Excellent long-term stability, low emf and low TCR.
Easy current measurement is performed by attaching to current bus or wires and connecting to ampere-meter through flexible wires.
All of shunts are calibrated on equipment with current certifications traceable to US-N.I.S.T
For high precision power supply, power converters, and current measurement instruments.



p/n (mm)	A	B	C	D	F	G	H	J (inch)	K (inch)	L
NSLB170-50	82.55	38.10	44.45	15.88	44.45	11.13	19.05	3/8-16x5/8	#10-32 SCR.	25.00
NSLB200-50	82.55	38.10	44.45	15.88	44.45	11.13	19.05	3/8-16x5/8	#10-32 SCR.	25.00
NSLB250-50	82.55	38.10	44.45	15.88	44.45	11.13	19.05	3/8-16x5/8	#10-32 SCR.	25.00
NSLB300-50	82.55	38.10	44.45	15.88	44.45	11.13	19.05	3/8-16x5/8	#10-32 SCR.	25.00
NSLB400-50	82.55	38.10	44.45	15.88	44.45	11.13	19.05	3/8-16x5/8	#10-32 SCR.	25.00
NSLB450-50	82.55	38.10	44.45	15.88	44.45	11.13	19.05	3/8-16x5/8	#10-32 SCR.	25.00
NSLB500-50	82.55	38.10	44.45	15.88	44.45	11.13	19.05	3/8-16x5/8	#10-32 SCR.	25.00
NSLB600-50	82.55	38.10	44.45	15.88	44.45	11.13	19.05	3/8-16x5/8	#10-32 SCR.	25.00

Tolerances +/-0.015 inch (+/-0.38 mm) for hole diameter, Other tolerances +/-0.030 inch (+/- 0.076 mm) unless otherwise noted.

LIGHTWEIGHT PRECISION CURRENT SHUNT RESISTORS NSLB170, NSLB200, NSLB250, NSLB300, NSLB400, NSLB450 NSLB500, NSLB600

形名呼称 Ordering Information

形状 Style NSLB	定格電流 Rating Current in A 200	定格出力電圧 Voltage in mV -50mV	許容差 Tolerance C	識別 Code Z00
NSLB	170 200 250 300 400 450 500 600	-50mV	C (+/-0.25%)	Z00

(1)

- (1) 許容差 0.1%は、オプションです。Accuracy will be assure B (+/-0.1%) in option.
- (2) 定格電流の 2/3 で動作させることを推奨します。Recommended operation current shall be 2/3 of their rated current.

仕様・性能 Specification and Performance

	NSLB170	NSLB200	NSLB250	NSLB300	NSLB400	NSLB450	NSLB500	NSLB600
Rated Current (A)	170	200	250	300	400	450	500	600
Operating Current (A)	113	133	166	200	267	300	333	400
Net Weight (g)	---	---	---	---	---	---	---	---
Rated Output	50mV or 60mV							
Resistance (milliohms)	Resistance is based on the amperage and mV rating, nominal resistance is calculated using Ohms law.							
Voltage Tolerance (%)	+/-0.25%(C)							
Operating Temp.	+30 to +70 deg C measured at center of manganin strips							
Storage Temp.	-55 to +80 deg C							

The way to reduce the operating temperature, such as forced air, increasing physical size, adding heat sink to the blocks, designing for water cooling, and etc.

