

高周波電力抵抗器

RF FLANGE POWER RESISTORS

RFR010-1, RFR050-1, RFR100-1, RFR250-1



特長 用途

RFR000-100 は、定格電力 10W から 250W、抵抗値 50Ω から 800Ω のマイクロ波抵抗器。マイクロ波ターミネーション、吸収抵抗器に使用することができます。RFR000-100 は、フランジ付シリーズであり、フランジを介して筐体に放熱できます。いずれも超高熱伝導度のセラミックスを絶縁物に使用し、高周波領域とマイクロ波領域で優れた性能を発揮し、薄膜抵抗ですから、高周波領域で誘導性がすくなく、周囲温度による抵抗値の変化がきわめて少なく安定した抵抗器です。
中継器、無線基地局、のマイクロ波アンプ、アイソレータ、その他高周波電源用。

Features and Applications

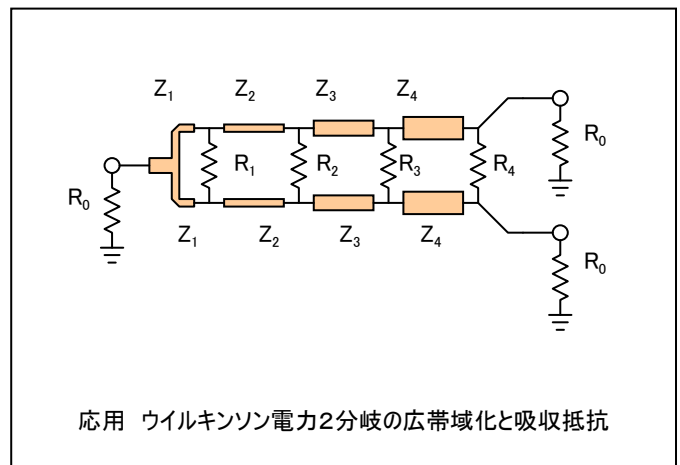
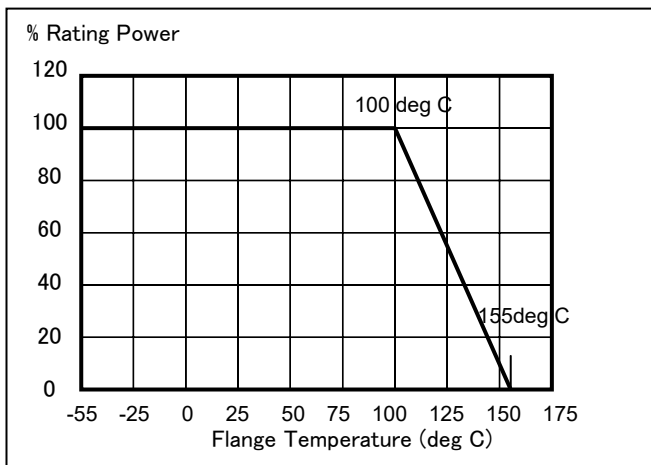
RFR000-100 are specified rating power of 10W to 250W, resistance of 50ohm to 800ohm for microwave applications. Heat from the resistors can be extracted through flange to PCB or case heat sink. Small sized large power handling feature shows excellent RF characteristics in equipment with RoHS compliance and Beryllium free design. 1% tolerance and 50ppm/degree tight resistances are made application circuit stable. RF power amplifiers, LNA, RF power source, fixed station of cell phone, RF measurement and terminations of circulators / isolators.

形名呼称 Ordering Information

Ordering P/N	Type	Outlook	TC	Resistance	Tolerance	Bulk/Tape	Package
RFR010 120 C100 OhmFZ00	RFR010	120	C	100 Ohm	F	Z00	Tray
RFR050 120 C150 OhmFZ00	RFR050	120	C	150 Ohm	F	Z00	Tray
RFR050 110 C200 OhmFZ00	RFR050	110	C	200 Ohm	F	Z00	Tray
RFR100 110 C300 OhmFZ00	RFR100	110	C	400 Ohm	F	Z00	Tray
RFR250 110 C800 OhmFZ00	RFR250	110	C	800 Ohm	F	Z00	Tray

仕様性能 Specifications and Performances

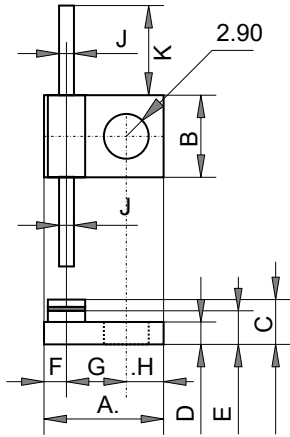
Type	RFR010	RFR050	RFR100	RFR250	Remarks
Rating Power with Heatsink	10W	50W	100W	250W	-55 - 100 deg C at flange
Resistance	50, 100, 150, 200, 250, 300, 400, 600, 800 ohm				
TC	+/-50ppm/K (C)				
Tolerance	+/-1.0% (F)				
Operating Temp. Range	-55 deg C to +155 deg C				
Storage Temperature Range	-55 deg C to +155 deg C				
Load Life	+/-0.5%				
Humidity	+/-0.5%				
Series Inductance	-				
Parallel Capacitance	-				



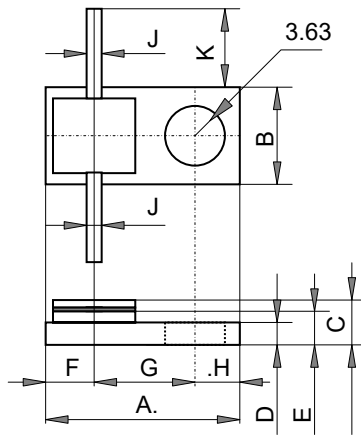
高周波電力抵抗器

RF FLANGE POWER RESISTORS

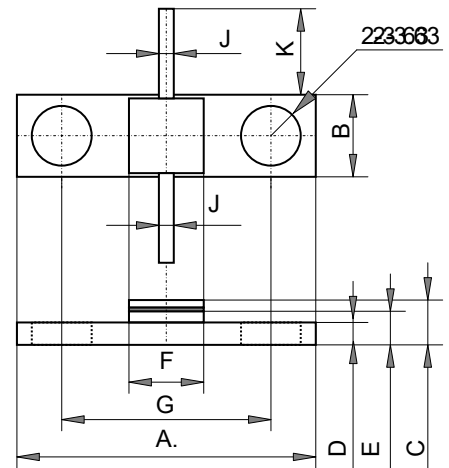
RFR010-1, RFR050-1, RFR100-1, RFR250-1



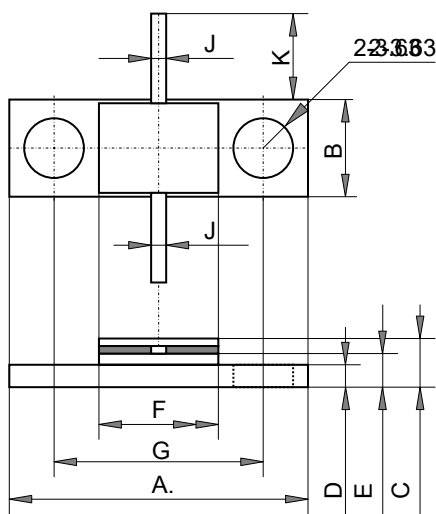
RFR010 120



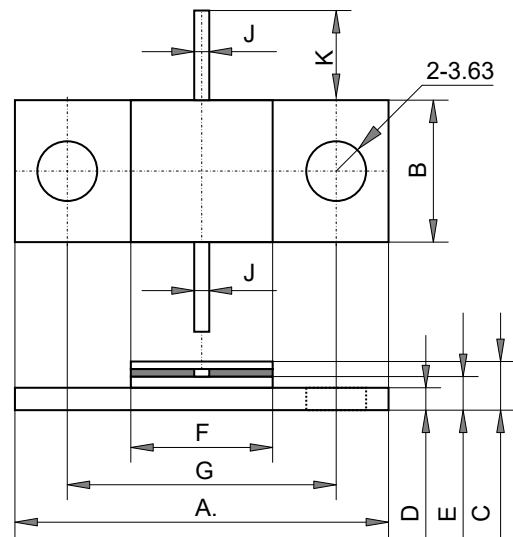
RFR050 120



RFR050 110



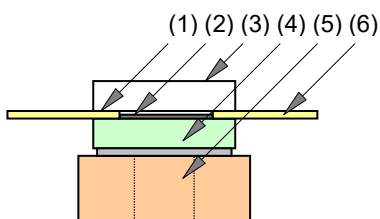
RFR100 110



RFR250 110

	A	B	C	D	E	F	G	H	J	K
RFR010	7.62	5.08	3.10	1.50	2.20	1.50	3.50	2.10	0.80	5.08
RFR050	13.08	6.35	3.10	1.50	2.20	(2.54)	7.49	3.05	0.80	5.08
RFR050	20.30	5.70	3.10	1.50	2.60	5.08	14.20	-	1.50	5.08
RFR100	20.30	6.35	3.10	1.50	2.60	8.89	14.20	-	1.50	5.08
RFR250	25.00	9.53	4.50	3.00	4.10	9.52	18.42	-	3.00	5.08

構造・材料 Materials



	Substance	Material
(1)	Beam Lead	Au plated Cu
(2)	Resistive	Ni-Cr
(3)	Cover	ALO
(4)	Substrate	ALN
(5)	Flange	Ni plated Cu
(6)	Beam Lead	Au plated Cu