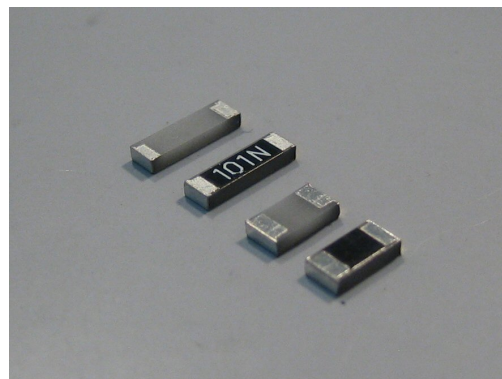


高周波用電力チップ抵抗器

RF POWER CHIP RESISTORS

RFH52, RFH72, RFK52, RFK72



特長 用途

RFH、RFKは、2端子の抵抗値50Ωから800Ωの電力チップ抵抗器。ターミネーション、高周波抵抗器に使用することができます。RFKは表面から、熱を伝導します。ともに電極に強固な導体をスパッタ形成し、Cu、Ni、Sn 三層構造で、プリント基板、マイクロストリップなどに、高信頼性はんだ接合して放熱できます。高熱伝導度のセラミックスを絶縁物に使用していますから、定格電力は10W(RFH72、RFH52)と20W(RFK72、RFK52)。高周波領域とマイクロ波領域で性能を發揮。薄膜抵抗ですから、高周波領域で誘導性が少なく、周囲温度による抵抗値の変化がきわめて少なく安定。
 ウィルキンソン分波、合波器、マイクロ波電力増幅器、高周波増幅器、高周波電源装置、高周波計測機器など

Features and Applications

5mmx2mm and 7mmx2mm small size 10W/20W power chip resistors for microwave applications. RFH and RFK are lead less chip. Strong terminals of RFH are prepared to extract heat from resistor chip to circuit board. RFK have back metal for heat extraction. 10W (RFH72, RFH52) and 20W (RFK52, RFK72) power rating are available with beryllium free design. 1% tolerance and 50ppm/degree C TCR tight resistances are made application for circuit stabilization. Applications include RF power amplifiers, RF power source, fixed station of cell phone, RF measurement and terminations of circulators / isolators.

外形寸法 Dimension

RFH72 and RFH52
 RFH are attached on micro strip line of circuit board. Resistance heat will be transferred through terminals.

RFK72 and RFK52
 RFK are attached on micro strip line of circuit board. Resistance heat will be transferred through back metallization.

| (mm) | RFH 52 | RFH 72 | RFK 52 | RFK 72 | Tol. |
|------|-----------|-----------|-----------|-----------|---------|
| A | 5.0 | 7.0 | 5.0 | 7.0 | +/-0.15 |
| B | 2.5 | 2.0 | 2.5 | 2.0 | +/-0.15 |
| C | 1.2 | 1.2 | 1.2 | 1.2 | max. |
| D | 0.8 | 0.8 | 0.8 | 0.8 | +/-0.1 |
| E | 0.8 | 0.8 | - | - | +/-0.1 |

形名呼称 Ordering Information

| | | | | | |
|-------|-------------|-----|--------|-----|-----------|
| RFH52 | C | 101 | F | Z01 | Note |
| RFH52 | C (50ppm/C) | 500 | F (1%) | Z00 | Bulk |
| RFH72 | | 101 | | Z01 | Tape reel |
| RFK52 | | 151 | | | |
| RFK72 | | 201 | | | |
| | | 251 | | | |
| | | 301 | | | |
| | | 401 | | | |
| | | 601 | | | |
| | | 801 | | | |

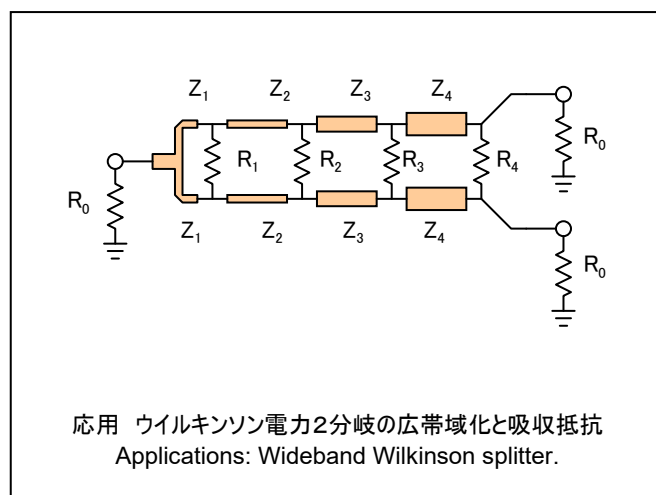
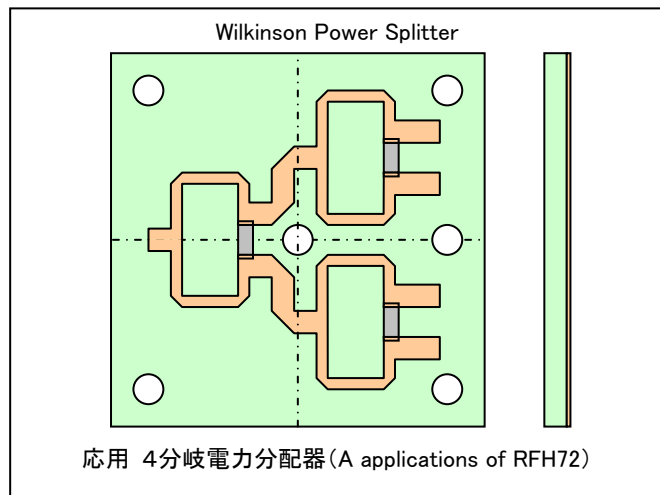
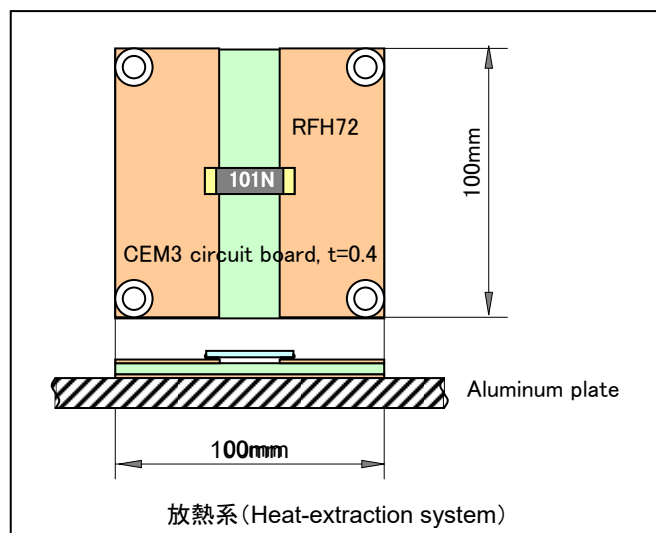
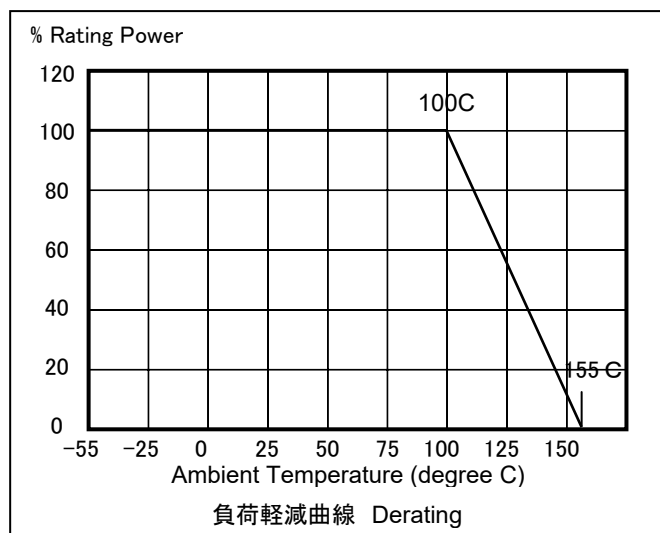
高周波用電力チップ抵抗器 RF POWER CHIP RESISTORS

RFH52, RFH72, RFK52, RFK72

性能仕様 Specifications and Performances

| 形名 | Type | RFH52 | RFH72 | RFK52 | RFK72 |
|-----------|----------------------------|--|-------|-------|-------|
| 定格電力 | Rating Power with Heatsink | 10W | 10W | 20W | 20W |
| 抵抗値 | Resistance | 50, 100, 150, 200, 250, 300, 400, 600, 800 ohm | | | |
| 抵抗温度係数 | TC | +/-50 ppm/K (C) | | | |
| 抵抗値許容差 | Tolerance | +/-1.0 % (F) | | | |
| 定格周囲温度 | Rated Ambient Temperature | -55 deg C to +100 deg C | | | |
| 動作温度範囲 | Operating Temp Range | -55C to +155C | | | |
| 定格負荷寿命 | Load Life | +/-0.5% | | | |
| 耐湿性 | Humidity | +/-0.5% | | | |
| 等価インダクタンス | Series Inductance | 3.2 nH | | | |
| 等価キャパシタンス | Parallel Capacitance | < 0.05 pF | | | |

Note: (1)チップの電極導体をプリント基板に取り付ける際は、350℃以上に加熱することを避けてください。



高周波用電力チップ抵抗器 RF POWER CHIP RESISTORS

RFH52, RFH72, RFK52, RFK72

